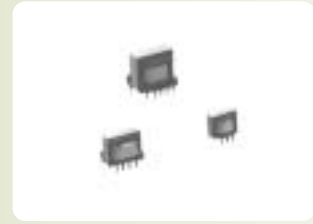


FEI-Type Choke Coils



Outline

NEC TOKIN standardizes the EI-type output choke coils for a single forward converter method and switching power supplies.

Features

- Ferrite cores with high magnetic flux density, high magnetic permeability and low loss
- Insulation material with flammability E-type
- Cost reduction through the automated production design

Applications

- Audio visual equipment, office automation equipment, computers and peripherals, communication equipment

● EC16Type

No.	Model	Inductance (μH)	Rated Current (A)	Non-Saturated Current (A)	DC Resistance ($\text{m}\Omega$) max.	Pin Connection
1	B0806C9-V	8	6.9	8.1	11.8	①③-④⑥
2	B1205C6-V	12	5.6	6.6	16.9	①③-④⑥
3	B1504C9-V	15	4.9	5.7	23.3	①③-④⑥
4	B2204C0-V	22	4.0	4.7	29.0	①③-④⑥
5	B2703C7-V	27	3.7	4.3	43.0	②-⑤
6	B3303C4-V	33	3.4	4.0	47.1	②-⑤
7	B3903C1-V	39	3.1	3.6	51.2	②-⑤
8	B4702C8-V	47	2.8	3.3	65.6	②-⑤
9	B5602C5-V	56	2.5	2.9	71.9	②-⑤
10	B6802C3-V	68	2.3	2.7	92.1	②-⑤
11	B8202C1-V	82	2.1	2.5	102	②-⑤
12	B1011C9-V	100	1.9	2.2	115	②-⑤
13	B1211C7-V	120	1.7	2.0	156	②-⑤
14	B1511C5-V	150	1.5	1.8	174	②-⑤
15	B1811C4-V	180	1.4	1.6	239	②-⑤
16	B2211C3-V	220	1.3	1.5	263	②-⑤
17	B2711C1-V	270	1.1	1.3	355	②-⑤
18	B3311C0-V	330	1.0	1.2	406	②-⑤
19	B391C98-V	390	0.98	1.1	438	②-⑤
20	B471C89-V	470	0.89	1.0	489	②-⑤
21	B561C82-V	560	0.82	0.97	667	②-⑤
22	B681C74-V	680	0.74	0.87	751	②-⑤
23	B821C67-V	820	0.67	0.79	853	②-⑤
24	B102C61-V	1000	0.61	0.72	1248	②-⑤
25	B122C55-V	1200	0.55	0.65	1371	②-⑤
26	B152C50-V	1500	0.50	0.59	1935	②-⑤
27	B182C46-V	1800	0.46	0.54	2116	②-⑤
28	B222C41-V	2200	0.41	0.48	3422	②-⑤
29	B272C37-V	2700	0.37	0.44	2688	②-⑤
30	B332C33-V	3300	0.33	0.39	3565	②-⑤
31	B472C28-V	4700	0.28	0.33	4837	②-⑤

● EC19Type

No.	Model	Inductance (μ H)	Rated Current (A)	Non-Saturated Current (A)	DC Resistance (m Ω) max.	Pin Connection
1	C0807C6-V	8	7.6	9.1	9.5	①③-④⑥
2	C1206C2-V	12	6.2	7.4	12.5	①③-④⑥
3	C1505C5-V	15	5.5	6.6	17.2	①③-④⑥
4	C2204C5-V	22	4.5	5.4	23.7	①③-④⑥
5	C2704C1-V	27	4.1	4.9	25.9	①③-④⑥
6	C3303C8-V	33	3.8	4.5	27.5	①③-④⑥
7	C3903C5-V	39	3.5	4.2	34.4	②-⑤
8	C4703C2-V	47	3.2	3.8	38.0	②-⑤
9	C5602C9-V	56	2.9	3.4	47.0	②-⑤
10	C6802C6-V	68	2.6	3.1	57.0	②-⑤
11	C8202C4-V	82	2.4	2.8	72.5	②-⑤
12	C1012C2-V	100	2.2	2.6	79.8	②-⑤
13	C1212C0-V	120	2.0	2.4	104	②-⑤
14	C1511C8-V	150	1.8	2.1	131	②-⑤
15	C1811C6-V	180	1.6	1.9	145	②-⑤
16	C2211C4-V	220	1.4	1.7	166	②-⑤
17	C2711C3-V	270	1.3	1.5	250	②-⑤
18	C3311C2-V	330	1.2	1.4	281	②-⑤
19	C3911C2-V	390	1.1	1.3	307	②-⑤
20	C4711C0-V	470	1.0	1.2	421	②-⑤
21	C561C93-V	560	0.93	1.1	462	②-⑤
22	C681C84-V	680	0.84	1.0	512	②-⑤
23	C821C76-V	820	0.76	0.91	690	②-⑤
24	C102C70-V	1000	0.70	0.84	774	②-⑤
25	C122C63-V	1200	0.63	0.76	875	②-⑤
26	C152C57-V	1500	0.57	0.68	1230	②-⑤
27	C182C52-V	1800	0.52	0.62	2437	②-⑤
28	C222C47-V	2200	0.47	0.56	1913	②-⑤
29	C272C42-V	2700	0.42	0.50	2165	②-⑤
30	C332C38-V	3300	0.38	0.45	2806	②-⑤
31	C472C32-V	4700	0.32	0.38	2496	②-⑤

● EC22type

No.	Model	Inductance (μ H)	Rated Current (A)	Non-Saturated Current (A)	DC Resistance (m Ω) max.	Pin Connection
1	D0809C8-V	8	9.8	11.7	9.0	②④-⑦⑨
2	D1208C1-V	12	8.1	9.7	14.5	②④-⑦⑨
3	D1507C2-V	15	7.2	8.6	16.2	②④-⑦⑨
4	D2206C1-V	22	6.1	7.3	22.0	②④-⑦⑨
5	D2705C4-V	27	5.4	6.5	31.1	③-⑧
6	D3305C0-V	33	5.0	6.0	38.0	③-⑧
7	D3904C6-V	39	4.6	5.5	40.9	③-⑧
8	D4704C2-V	47	4.2	5.0	50.5	③-⑧
9	D5603C8-V	56	3.8	4.5	57.4	③-⑧
10	D6803C5-V	68	3.5	4.2	63.2	③-⑧
11	D8203C2-V	82	3.2	3.8	69.8	③-⑧
12	D1012C9-V	100	2.9	3.5	89.0	③-⑧
13	D1212C6-V	120	2.6	3.1	116	③-⑧
14	D1512C4-V	150	2.4	2.9	129	③-⑧
15	D1812C1-V	180	2.1	2.5	171	③-⑧
16	D2211C9-V	220	1.9	2.3	189	③-⑧
17	D2711C7-V	270	1.7	2.0	254	③-⑧
18	D3311C6-V	330	1.6	1.9	288	③-⑧
19	D3911C4-V	390	1.4	1.7	312	③-⑧
20	D4711C3-V	470	1.3	1.5	376	③-⑧
21	D5611C2-V	560	1.2	1.4	415	③-⑧
22	D6811C1-V	680	1.1	1.3	510	③-⑧
23	D8211C0-V	820	1.0	1.2	703	③-⑧
24	D102C92-V	1000	0.92	1.1	808	③-⑧
25	D122C84-V	1200	0.84	1.0	889	③-⑧
26	D152C75-V	1500	0.75	0.90	1330	③-⑧
27	D182C69-V	1800	0.69	0.83	1454	③-⑧
28	D222C62-V	2200	0.62	0.74	1830	③-⑧
29	D272C56-V	2700	0.56	0.67	2376	③-⑧
30	D332C51-V	3300	0.51	0.61	2714	③-⑧
31	D472C42-V	4700	0.42	0.50	3750	③-⑧

● **EC25type**

No.	Model	Inductance (μ H)	Rated Current (A)	Non-Saturated Current (A)	DC Resistance (m Ω) max.	Pin Connection
1	E08011C-V	8	11.0	13	9.0	②③-⑥⑦
2	E1209C3-V	12	9.3	11	12.0	②③-⑥⑦
3	E1508C7-V	15	8.7	10	13.5	②③-⑥⑦
4	E2207C1-V	22	7.1	8.3	19.4	②③-⑥⑦
5	E2706C4-V	27	6.4	7.5	27.3	②③-⑥⑦
6	E3305C8-V	33	5.8	6.8	29.6	②-⑦
7	E3905C3-V	39	5.3	6.2	32.7	②-⑦
8	E4704C8-V	47	4.8	5.6	35.6	②-⑦
9	E5604C5-V	56	4.5	5.3	38.4	②-⑦
10	E6804C0-V	68	4.0	4.7	48.3	②-⑦
11	E8203C7-V	82	3.7	4.3	53.8	②-⑦
12	E1013C3-V	100	3.3	3.9	58.8	②-⑦
13	E1213C1-V	120	3.1	3.6	79.2	②-⑦
14	E1512C7-V	150	2.7	3.2	103	②-⑦
15	E1812C5-V	180	2.5	3.0	114	②-⑦
16	E2212C3-V	220	2.3	2.7	141	②-⑦
17	E2712C0-V	270	2.0	2.3	189	②-⑦
18	E3311C8-V	330	1.8	2.1	208	②-⑦
19	E3911C7-V	390	1.7	2.0	226	②-⑦
20	E4711C5-V	470	1.5	1.8	293	②-⑦
21	E5611C4-V	560	1.4	1.6	321	②-⑦
22	E6811C3-V	680	1.3	1.5	427	②-⑦
23	E8211C2-V	820	1.2	1.4	469	②-⑦
24	E1021C1-V	1000	1.1	1.3	523	②-⑦
25	E1221C0-V	1200	1.0	1.2	726	②-⑦
26	E152C90-V	1500	0.9	1.0	808	②-⑦
27	E182C80-V	1800	0.8	0.94	896	②-⑦
28	E222C73-V	2200	0.73	0.86	1008	②-⑦
29	E272C66-V	2700	0.66	0.78	1396	②-⑦
30	E332C59-V	3300	0.59	0.70	1540	②-⑦
31	E472C50-V	4700	0.5	0.59	2404	②-⑦

● **EC30Type**

No.	Model	Inductance (μ H)	Rated Current (A)	Non-Saturated Current (A)	DC Resistance (m Ω) max.	Pin Connection
1	H08020C-V	8	20	23	2.7	②③④⑤-⑧⑨⑩⑪
2	H12016C-V	12	16	18	5.2	②③④⑤-⑧⑨⑩⑪
3	H15015C-V	15	15	17	6.4	③④-⑨⑩
4	H22012C-V	22	12	14	7.4	③④-⑨⑩
5	H27011C-V	27	11	12	9.6	③④-⑨⑩
6	H33010C-V	33	10	11	13.4	③④-⑨⑩
7	H3909C6-V	39	9.6	11	13.8	③④-⑨⑩
8	H4708C7-V	47	8.7	10	18.4	③④-⑨⑩
9	H5607C9-V	56	7.9	9.1	22.7	③④-⑨⑩
10	H6807C2-V	68	7.2	8.3	22.9	③④-⑨⑩
11	H8206C5-V	82	6.5	7.5	26.6	③-⑩
12	H1016C0-V	100	6.0	6.9	34.6	③-⑩
13	H1215C4-V	120	5.4	6.2	52.1	③-⑩
14	H1514C9-V	150	4.9	5.6	59.2	③-⑩
15	H1814C4-V	180	4.4	5.0	67.7	③-⑩
16	H2214C0-V	220	4.0	4.6	80.4	③-⑩
17	H2713C6-V	270	3.6	4.1	92.6	③-⑩
18	H3313C2-V	330	3.2	3.7	112	③-⑩
19	H3913C0-V	390	3.0	3.4	133	③-⑩
20	H4712C7-V	470	2.7	3.1	141	③-⑩
21	H5612C5-V	560	2.5	2.9	186	③-⑩
22	H6812C3-V	680	2.3	2.6	209	③-⑩
23	H8212C0-V	820	2.0	2.3	238	③-⑩
24	H1021C9-V	1000	1.9	2.2	317	③-⑩
25	H1221C7-V	1200	1.7	1.9	350	③-⑩
26	H1521C5-V	1500	1.5	1.7	457	③-⑩
27	H1821C4-V	1800	1.4	1.6	490	③-⑩
28	H2221C2-V	2200	1.2	1.4	655	③-⑩
29	H2721C1-V	2700	1.1	1.2	732	③-⑩
30	H3321C0-V	3300	1.0	1.1	829	③-⑩
31	H472C87-V	4700	0.87	1.0	1195	③-⑩

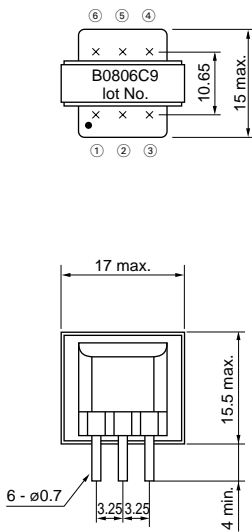
Numbering System

B 080 6C9 V
 ① ② ③ ④

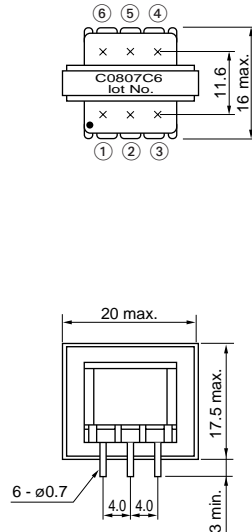
- ① Abbreviated Code
 B : EC16Type
 C : EC19Type
 D : EC22Type
 E : EC25Type
 H : EC30Type
- ② Inductance Value [μH] (The lowest digit indicates the power of 10.) (8 μH)
- ③ Rated Current [A] (6.9 A)
- ④ Vertical Type

Configuration and Dimensions

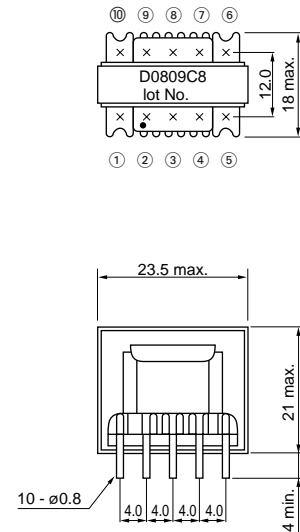
● EC16Type



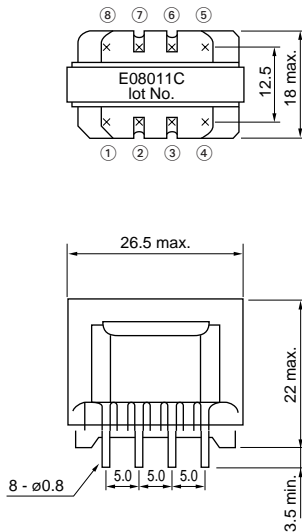
● EC19Type



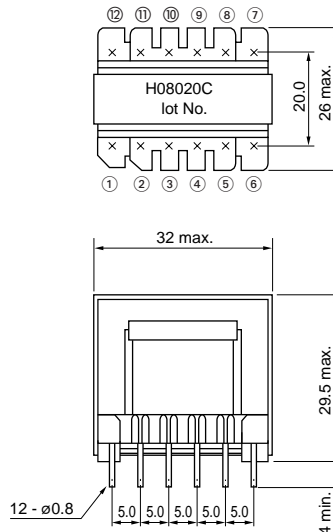
● EC22Type



● EC25Type



● EC30Type



[mm]